

DH-IPC-HFW5431E-Z5

4MP WDR IR Bullet Network Camera



- 1/3" 4Megapixel progressive scan CMOS
- H.265&H.264 dual-stream encoding
- 25/30fps@4Mp(2688×1520)
- Smart Detection supported
- WDR(120dB), Day/Night(ICR), 3DNR, AWB, AGC, BLC
- Multiple network monitoring: Web viewer, CMS(DSS/PSS) & DMSS
- 7mm ~35mm 5x zoom lens
- 2/1 Alarm in/out, 1/1 audio in/out
- Max. IR LEDs Length 100m
- Micro SD memory, IP67, PoE



System Overview

Eco-savvy products by upgrading H.265 encoding technology, bringing high efficient video compression. It saves bandwidth and storage, energy-saving design to enhance the monitoring system. Meanwhile, the series offers features such as starlight, Smart IR technology, intelligent image analysis techniques. It provides excellent image quality and intelligent and efficient event reminders. This series provides IP67 weatherproof and IK10 vandal-proof protection feature. Give customers more value

Functions

Wide Dynamic Range

Embedded with industry leading wide dynamic range (WDR) technology, vivid pictures are achieved even in the most intense contrast lighting conditions. For applications with both bright and low lighting conditions that change quickly, True WDR (120dB) optimizes both the bright and dark areas of a scene at the same time to provide usable video.

Intelligent Video System (IVS)

With built-in intelligent video analytics, the camera has the ability to detect and analyze moving objects for improved video surveillance. The camera provides optional standard intelligence at the edge allowing detection of multiple object behaviors such as abandoned or missing objects. IVS also supports Tripwire analytics, allowing the camera to detect when a pre-determined line has been crossed, People Counting, ideal for business intelligence, and Facial Detection, for searching or identification of individuals.

Environmental

With a temperature range of -30 °C to +60 °C (-22 °F to +140 °F), the camera is designed for extreme temperature environments. Subjected and certified to rigorous dust and water immersion tests, the IP67 rating makes it suitable for demanding outdoor applications. For environments with rain, sleet, snow and fog, an integrated wiper provides users with clear visibility at all times.

Protection

Supporting $\pm 30\%$ input voltage tolerance, this camera suits even the most unstable conditions for outdoor applications. Its 4KV lightning rating provides protection against the camera and its structure from the effects of lightning.

Smart H.265+

Deliver high quality video without straining the network, Smart H.265+ is the optimized implementation of H.265. The Smart H.265+ encoding technology includes a scene adaptive encoding strategy, dynamic GOP, dynamic ROI, flexible multi-frame reference structure and intelligent noise reduction, providing saving of up to 70% of bandwidth and storage when compared with standard H.265.

HEVC (H.265)

H.265 ITU-T VCEG is a new video coding standard. H.265 Following standard developed around the existing video coding standard H.264, some retain the original technology, while some of the relevant technology to improve the new technology uses advanced technology to improve the relationship between the code stream, encoding quality, and the delay between algorithm complexity, optimize settings specific contents include: Improve compression efficiency, improve the robustness and error recovery capabilities, real-time to reduce the delay, reduce channel acquisition time and a random access delay, reduce complexity, etc

Technical Specification					
Camera					
Image Sensor	1/3" 4Megapixel progressive scan CMOS				
Effective Pixels	2688(H) x 1520(V)				
RAM/ROM	512MB/32MB				
Scanning System	Progressive				
Electronic Shutter Speed	Auto/Manual, 1/3~1/100000s				
Minimum Illumination	0.03Lux/F1.4 (Color,1/3s,30IRE) 0.3Lux/F1.4 (Color,1/30s,30IRE) 0Lux/F1.4(IR on)				
S/N Ratio	More than 50dB				
IR Distance	Distance up to 100m (328ft)				
IR On/Off Control	Auto/ Manual				
IR LEDs	4				
Lens					
Lens Type	Motorized/ Auto Iris(HALL)				
Mount Type	Board-in				
Focal Length	7mm~35mm				
Max. Aperture	F1.4				
Angle of View	H: 32°~10°, V:18°~6°				
Optical Zoom	5x				
Focus Control	Motorized				
Close Focus Distance	0.4m				
DORI Distance	Lens	Detect	Observe	Recognize	Identify
	W	190m(623ft)	76m(249ft)	38m(124ft)	19m(62ft)
	T	620m(2034ft)	248m(813ft)	124m(406ft)	62m(203ft)
Pan/Tilt/Rotation					
Pan/Tilt/Rotation Range	Pan:0°~360°; Tilt:0°~90°; Rotation:0°~360°				
Intelligence					
IVS	Tripwire, Intrusion, Object Abandoned/Missing				
Advanced Intelligent Functions	Face Detection				
Video					
Compression	H.265+/H.265/H.264+/H.264				
Streaming Capability	3 Streams				
Resolution	4M(2688x1520)/3M(2304x1296)/ 1080P(1920x1080)/1.3M(1280x960)/ 720P(1280x720)/D1(704x576/704x480)/ VGA(640x480)/CIF(352x288/352x240)				
Frame Rate	Main Stream: 4M(1~25/30fps)				
	Sub Stream: D1(1~25/30fps)				
	Third Stream: 720P(1~25/30fps)				
Bit Rate Control	CBR/VBR				
Day/Night	Auto(ICR) / Color / B/W				
BLC Mode	BLC / HLC / WDR(120dB)				
White Balance	Auto/Natural/Street Lamp/Outdoor/Manual				
Gain Control	Auto/Manual				
Noise Reduction	3D DNR				
Motion Detetion	Off / On (4 Zone, Rectangle)				
Region of Interest	Off / On (4 Zone)				
Electronic Image Stabilization (EIS)	N/A				
Smart IR	Support				
Defog	N/A				
Digital Zoom	16x				
Flip	0°/90°/180°/270°				
Mirror	Off / On				
Privacy Masking	Off / On (4 Area, Rectangle)				
Audio					
Compression	G.711a/ G.711Mu/ AAC/ G.726				
Network					
Ethernet	RJ-45 (10/100Base-T)				
Protocol	HTTP; HTTPS; TCP; ARP; RTSP; RTP; UDP; SMTP; FTP; DHCP; DNS; DDNS; PPPOE; IPv4/v6; QoS; UPnP;NTP; Bonjour; 802.1x; Multicast; ICMP; IGMP; SNMP				
Interoperability	ONVIF, PSIA, CGI				
Streaming Method	Unicast / Multicast				
Max. User Access	10 Users /20 Users				
Edge Storage	NAS Local PC for instant recording Mirco SD card 128GB				
Web Viewer	IE, Chrome, Firefox, Safari				
Management Software	Smart PSS, DSS, Easy4ip				
Smart Phone	IOS, Android				
Certifications					
Certifications	CE (EN 60950:2000) UL:UL60950-1 FCC: FCC Part 15 Subpart B				
Interface					
Video Interface	1 Port(For adjustment only)				
Audio Interface	1/1 channel In/Out				
RS485	N/A				
Alarm	2 channel In: 5mA 5VDC 1 channel Out: 300mA 12VDC				
Electrical					
Power Supply	DC12V, PoE (802.3af)(Class 0)				
Power Consumption	<11.5W				

Environmental

Operating Conditions	-30° C ~ +60° C (-22° F ~ +140° F) / Less than 95% RH
Storage Conditions	-30° C ~ +60° C (-22° F ~ +140° F) / Less than 95% RH
Ingress Protection	IP67
Vandal Resistance	N/A

Construction

Casing	Metal
Dimensions	273.2mm×95.0mm×96.4mm (10.76"×3.74"×3.79")
Net Weight	1.07Kg (2.36lb)
Gross Weight	1.4Kg (3.09lb)

Ordering Information

Type	Part Number	Description
4MP camera	DH-IPC-HFW5431EP-Z5	4MP WDR IR Bullet Network Camera,WDR,PAL
	DH-IPC-HFW5431EN-Z5	4MP WDR IR Bullet Network Camera,WDR,NTSC
	IPC-HFW5431EP-Z5	4MP WDR IR Bullet Network Camera,WDR,PAL
	IPC-HFW5431EN-Z5	4MP WDR IR Bullet Network Camera,WDR,NTSC
Accessories (optional)	PFA121	Junction box
	PFA152	Pole Mount

Accessories

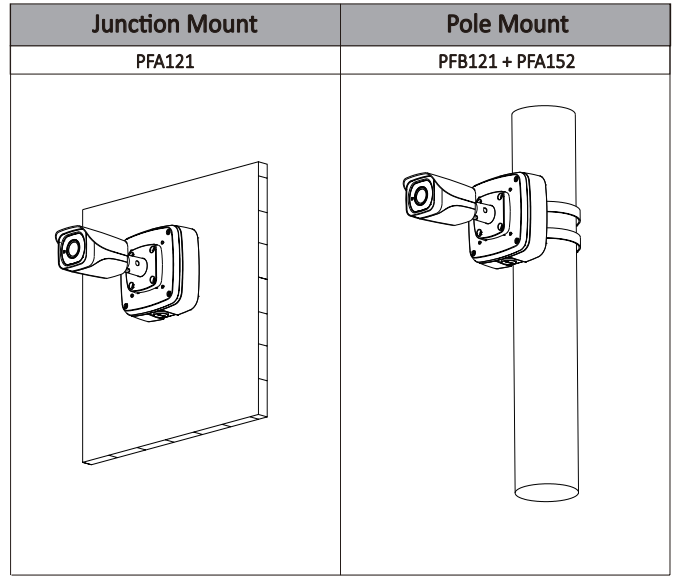
Optional:



PFA121
Junction box



PFA152
Pole Mount



Dimensions (mm/inch)

